

Technical Standard Specification



Device type: Water distributor SFC
 Temperatures -120 (-160)
 Circuits -4 (-6, -8)

Controllable via temperature control system with SSC and preparation for connection SFC (SFC.A.x or SFC.Rx) or via separate control SFC Control

Equipment

- With optional 4, 6 or 8 distribution circuits
- Eddy current flow meter in the from process line of each distribution circuit
- Temperature sensor in the from processline of each distribution circuit
- Temperature sensor for main inflow (option)
- All water touched parts corrosion-resistant (brass/stainless steel)
- Ball valve in the flow of each distribution circuit
- Good accessibility to the sensors due to rotatable switch box
- Electronics housed in separate control box in from of the hydraulic unit
- High-quality, removable thermal insulation with Velcro fastener around the distribution block
- Built into a robust, powder-coated sheet steel housing
- For wall mounting by the customer or mounted on the temperature control unit
- Easy mounting due to supplied mounting plate (with sep. solution)
- Power supply (24VDC) and data exchange via a robust 4-pole Harting plug connection
- Incl. connection cable (length = 5m) for connection to temperature control units with SFC.R (Ready) or SFC.CONTROL



Options

- Max. media temperature up to +160°C (option)
- Pressure sensor for main inflow and outflow (option)
- Ball valve at the main connections of the water distributor (option)
- Main connections as sealing cone screw connection (DIN 3863), G1/2" for SFC...4, G1" for SFC...6 and SFC...8 (option)
- Distribution circuit connections as sealing cone screw connection (DIN 3863), G3/82" (option)
- Manually adjustable line regulating valve in the return of each distribution circuit (option)
- Motorized control valve in the return of each distribution circuit (option); volume flow control range: 2-17 ltr / min, control range differential temperature 2-10 ° K; (Attention: Retain the minimum flow rate of the temperature control system!)

Technical data

Application limits:

- Heat transfer media Water (no deionised water) with/without anti-corrosion agent
- Min./max. media temp. +10...+120°C (optional ...+160°C)
- Max. media pressure 8 bar @ 120°C (10 bar @ 160°C)
- Ambient temp. +0...+50°C
- Relative humidity: max. 85% (non-condensing)

Flow measurement

- Measuring range 1-18 l/min (must not be exceeded or fallen below)
- Measuring accuracy +/- 1,5% v.MEW up to 12ltr/min
+/- 2,5% v.MEW up to 12ltr/min

Temperature measurement

- Measuring range 0-120°C (optional ...+160°C)
- Measuring accuracy +/-1K @ 120°C (+/-1,1K @ 160°C)

Protection class

IP 54

Dimensions:

- | | | SFC...-4 | SFC...-6 | SFC...-8 |
|----------------------|------|----------|----------|----------|
| - Width: | [mm] | 312 | 440 | 550 |
| - Height w/o valves | [mm] | 165 | 165 | 165 |
| - Height with valve: | [mm] | 233 | 233 | 133 |
| - Depth with MP* | [mm] | 243 | 253 | 253 |

* MP = mounting plate

Weight with MP*:

- | | | SFC...-4 | SFC...-6 | SFC...-8 |
|--------------------|------|----------|----------|----------|
| - Weight with MP*: | [kg] | 11,4 | 16,0 | 20,5 |

* MP = mounting plate

Connections:

- | | | | |
|--------------------------|---------|---------|---------|
| - Main inlet and outlet: | G1/2"IG | G1"IG | G1"IG |
| - Distribution circuits | G1/2"IG | G1/2"IG | G1/2"IG |

Colour:

RAL 7035 (light grey)

- Subject to technical changes; as at: 11.02.2022; modified by F.Sporck -

This unit conforms to the European Directives. Other directives and standards are only fulfilled if these are listed in the order confirmation. This technical specification reflects the standard equipment, customer requests deviating from the standard will be shown in quotations or order confirmations

Technical Standard Specification



Type: Controlbox
SFC.CONTROL

suitable for water manifold
SFC...-4, ...-6, ...-8

Equipment

- with- regulation and control unit Smart Controller (7" touch display)
- installed in Rittal switch box made of sheet steel
- for wall mounting by the customer
- for connection of max. two SINGLE water manifolds, type SFC
- Power supply and data exchange to the water distributor via each connection cable. Connecting cables 5m long are included in the scope of delivery of the water manifold.
- Permanently connected mains cable (5m) with Schuko plug



Functions

Graphical display of measured values of up to 2x8 circuits

- Display of flow rate and from process temperature per circuit
- Display of total inflow and outflow temperature
- Display of total inlet and outlet pressure (option)
- Circuits controlled flow rate or temperature difference (option)
- Help advices can be displayed in the event of an alarm
- Parameters can be saved for different tools
- Storage of alarm history

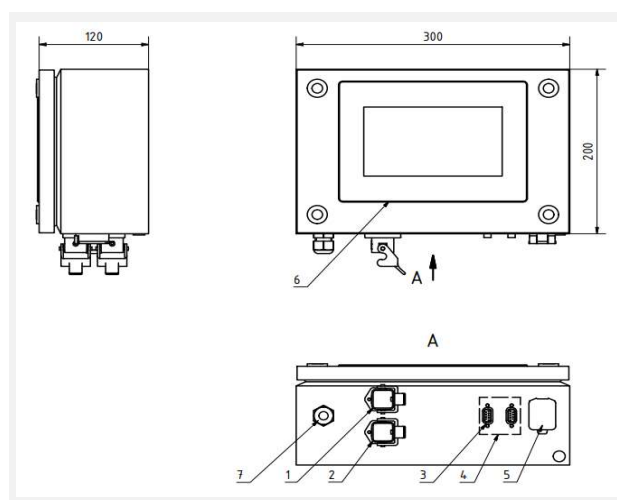


Options

- Data interface, optionally Profibus, Profinet, 20mA-TTY-Arburg
- Euromap 82.1 based on OPC-UA expected to be available from Q2/22

Technical data

- Ambient temp. 0...+50°C
- relative humidity: max. 85% (without condensation)
- Dim. without connections (BxHxT) 300 x 200 x 120 mm
- Weight: 5,0 kg
- Colour: RAL 7035 (light grey)
- Power supply: 85..264V (+/-5%), 1~, 50-60 Hz
- Backup fuse: max. 16A
- Protection class: IP 54



- Technical data subject to change without notice; last update: 01.12.2021; modified by U.Hoferer -

This appliance conforms to the European Directives. Other directives and standards are only fulfilled if they are listed in the order confirmation. This technical specification reflects the standard equipment; customer requests deviating from the standard will be shown in quotations or order confirmations.